

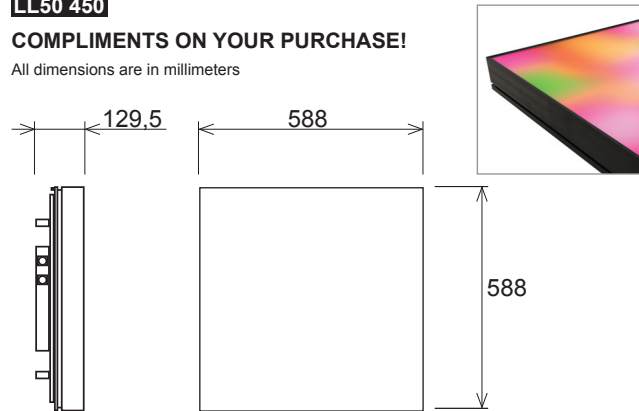
USER MANUAL

LL PRO GRAPHIC PANEL

LL50 450

COMPLIMENTS ON YOUR PURCHASE!

All dimensions are in millimeters



Following items are included:

- LL PRO GRAPHIC PANEL RGB 1 pc.
- PowerCon type "A" + "B" 1 pc.
- User manual 1 pc.

Additional items needed:

- Data cables with XLR 5pin Female/Male 1 pc.
- Controller compatible with DMX 1 pc.
- Surface mounting:
- LL HOLDER GRAPHIC PANEL SURFACE 1 pc.
- Screws and washers M12 4 pcs.

Content:

01 SAFETY INFORMATION

- 01.1 Risk of eyes damage
- 01.2 Protection from electric shock
- 01.3 Fire prevention

02 PRODUCT SPECIFICATION

- 02.1 Technical Specification
- 02.2 Data and Power connections
- 02.3 Top panel

03 INSTALLATION

- 03.1 Unpacking
- 03.2 Physical installation
- 03.3 Connecting to AC power
- 03.4 Control data connecting
- 03.5 DMX channels

04 MAINTENANCE

ENVIRONMENT



Do not throw away the appliance with the normal household waste at the end of its life, but hand it in at an official collection point for recycling. By doing this, you help to preserve the environment.

01 SAFETY INFORMATION



WARNING!!!

Carefully read before installing, powering or servicing.
Nothing to do if anything misunderstand! Installation can be done only by a qualified professional in accordance with relevant local codes.

01.1 Risk of eyes damage



- Do not look directly into LED lamps.
- Do not look into light beam from a distance of less than 40 cm (16 inches)!

01.2 Protection from electric shock



- Shut down power before installation or maintenance.
- Luminaries and recommended AC power supply must be installed by a qualified professional in accordance with relevant local codes. Only acceptable source of AC power and frequency that complies with local building and electrical codes to use.
- Do not use or do not connect the products if the power cable, power plug or fixtures are any way damaged, wet, or if they are overheating.
- Do not modify, alter, or attempt to service the LeaderLight appliance. Doing so will void the warranty.
- Before removing or installing any cover or part of appliance disconnect it from AC power.
- Appliance always connect to earth (eltech.).

01.3 Fire prevention



- Follow all safety consideration.
- Thermostatic switches or fuses never to bypass.
- Device never shield – minimum distance around fitting must be 100mm (4 in.).
- LEDs never direct cover with filters or other materials.
- Allowing max. ambient temperature is 40°C (104°F).

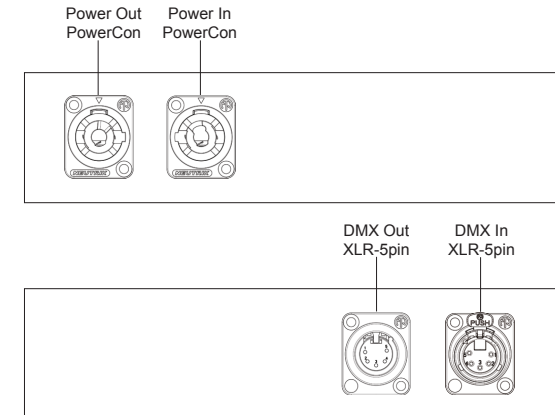
02 PRODUCT SPECIFICATION

02.1 Technical Specification

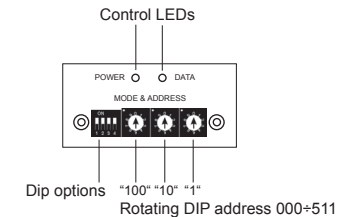
Lamp type:	144 x RGB TOP LED *
Lifetime:	Long 100 000 hrs 60% degradation
Control data Input:	DMX512 In/Out with XLR 5pin
Input power:	max.60W
Power connection:	100-260V AC In/Out PowerCon
Net weight:	6kg
IP:	IP20
Ambient temp. (Ta):	Maximum 40°C
Cooling:	Conventional
Materials and finish:	Housing: anodized aluminium black Cover: plexiglass with special diffuse foil
Installation:	Surface, recessed or semi-recessed mounting

* TOP LED: ■ R-Red, ■ G-Green, ■ B-Blue

02.2 Data and Power connections



02.3 Top panel



Control LEDs Indication

POWER ● DATA ●

LED	INDICATION	STATUS
POWER (Red)	blinking – 2Hz	OK - inside fixture is everything correct
DATA (Green)	light off	NO DMX512 signal
DATA (Green)	blinking – 4Hz	OK- income correct DMX512 signal
DATA (Green)	fast blinking	NON correct digital signal
POWER (Red)	alternate blinking	Autotest function
DATA (Green)		

03 INSTALLATION

03.1 Unpacking

- Unpack carefully.
- This is electronic equipment and should be handled carefully.
- Damaged delivered package or if are any mechanical parts broken – it must be claim immediately by the transport company. Photo pictures as evidence are valuable for future claim.

03.2 Physical installation

- Loading capacity of bearing area has to be at least 10 times the weight of all device clusters (luminaries, clamps, cables, ...).
- Hairbreadth from combustible materials is 0,5m.
- The LL PRO GRAPHIC PANEL is designed for use in a 600mm grid suspended ceiling with T profile (Figure Nr. 1.1) or surface installation by LL HOLDER GRAPHIC PANEL LL41 605 (Figure Nr. 1.2).

03.3 Connecting to AC power



- **To tackle all Safety Information- 01!**
- For protection from electric shock, the device must be grounded (earthed)!
- It is not necessary to open the fixture before power supply.
- Power supply is solved simple with Neutrik PowerCon connectors.
- The fixture is equipped with auto-switching power supply that automatically adjusts to any 50-60Hz AC power source from 100-260V.

- Cord plug connections:

Symbol	Pin	Wire Colour	Screw (US)
L	live	brown/black	black
N	neutral	light blue	white
	ground (earth)	yellow/green	green

03.4 Control data connecting

- Control data cable length is specified by Norm IEC929 Annex E4
- It is not necessary to open the fixture before connecting of DMX512 control signal. Interconnections are realized by Neutrik XLR 5pin In/Out connectors.

03.5 DMX channels - subject to change

- The latest version of DMX channels appendix are on the websites - www.leaderlight.eu
- Custom made solution for example:

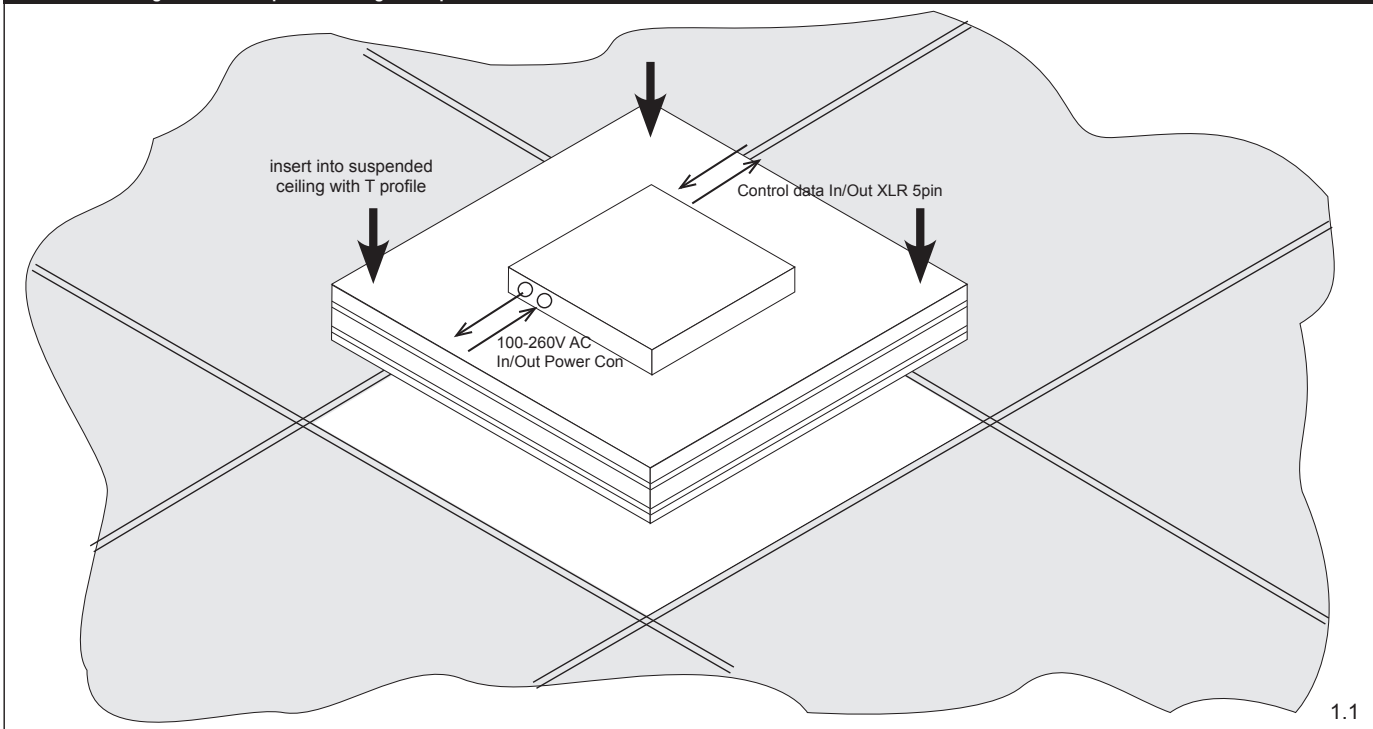
Functions Dip (switch Dip1, Dip2, Dip3, Dip4):

Dip1	Dip2	Dip3	Dip4	
off	off	off	x	ModA 108ch (6x6xRGB)
off	off	on	x	ModB 3ch (paralel RGB)
off	on	off	x	ModC 180ch (6x6x RGBAW)
off	on	on	x	ModD 5ch (paralel RGBAW)
on	off	off	x	ModE 144ch (6x6x RGBA)
on	off	on	x	ModF 144ch (6x6x RGBW)
on	on	off	x	ModG 110ch (6x6x RGB + 1x WA)
on	on	on	x	ModH 110ch (6x6x RGB + 1x AW)
x	x	x	on	future

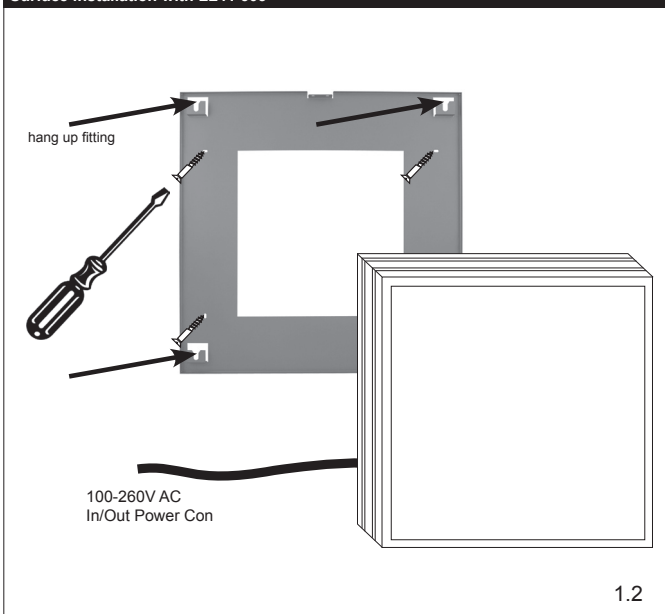
Example ModA:

1-3 ch. RGB	4-6 ch. RGB	7-9 ch. RGB	10-12 ch. RGB	13-15 ch. RGB	16-18 ch. RGB
19-21 ch. RGB	22-24 ch. RGB	25-27 ch. RGB	28-30 ch. RGB	31-33 ch. RGB	34-36 ch. RGB
37-39 ch. RGB	40-42 ch. RGB	43-45 ch. RGB	46-48 ch. RGB	49-51 ch. RGB	52-54 ch. RGB
55-57 ch. RGB	58-60 ch. RGB	61-63 ch. RGB	64-66 ch. RGB	67-69 ch. RGB	70-72 ch. RGB
73-75 ch. RGB	76-78 ch. RGB	79-81 ch. RGB	82-84 ch. RGB	85-87 ch. RGB	88-90 ch. RGB
91-93 ch. RGB	94-96 ch. RGB	97-99 ch. RGB	100-102 ch. RGB	103-105 ch. RGB	106-108 ch. RGB

Recessed mounting in 600mm suspended ceiling with T profile



Surface installation with LL41 605



Order code Product name

LL50 450 LL PRO GRAPHIC PANEL RGB **

Accessories:

LL41 605 LL HOLDER GRAPHIC PANEL SURFACE

** Total 6*6 100mm pixel

04 MAINTENANCE



- **To tackle all Safety Information- 01!**
- Damage caused by inadequate cleaning or maintenance is not covered by warranty.
- Regular cleaning is demand (dust, dirt, ...)

Maintenance policy:

- Unplug mains before maintenance and at least 10 minutes cool off
- Appliance do not illegal open or demount
- Clean-up dust only from outer surface (for ex. scuttle, diffuser and lenses).
- Use vacuum or dumpy duster (warm water)
- Before reinstalling to check failure-free state – no wet parts!