

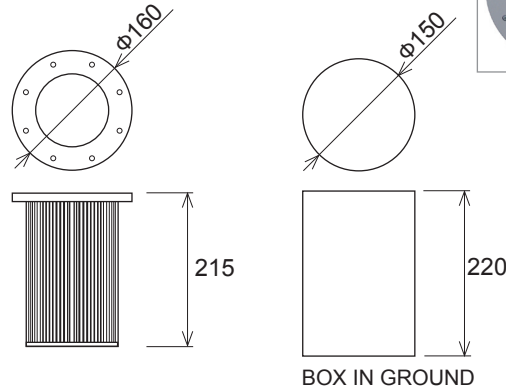
USER MANUAL

LL ARC SPOT 19 IN GROUND RGB

LL32 700

COMPLIMENTS ON YOUR PURCHASE!

All dimensions are in millimeters



Following items are included:

- LL ARC SPOT 19 IN GROUND RGB with 5m cable 6pin LINE connector 1 pc.
- LL BOX SPOT IN GROUND 1 pc.
- User manual 1 pc.

Additional items needed:

- LL ARC DRIVER
- DC power supply 24V
- Controller compatible with DMX
- Screws and washers

Content:

01 SAFETY INFORMATION

- 01.1 Risk of eyes damage
- 01.2 Protection from electric shock
- 01.3 Fire prevention

02 PRODUCT SPECIFICATION

- 02.1 Technical Specification

03 INSTALLATION

- 03.1 Unpacking
- 03.2 Physical installation
- 03.3 Electrical installation
 - 03.3.1 Connecting to AC/DC power supply
 - 03.3.2 Connecting to LL ARC DRIVER for intensity/colour control

04 MAINTENANCE

ENVIRONMENT



Do not throw away the appliance with the normal household waste at the end of its life, but hand it in at an official collection point for recycling. By doing this, you help to preserve the environment.

01 SAFETY INFORMATION



WARNING!!!

Carefully read before installing, powering or servicing.
Nothing to do if anything misunderstand! Installation can be done only by a qualified professional in accordance with relevant local codes.

01.1 Risk of eyes damage

- Do not look directly into LED lamps.
- Do not look into light beam from a distance of less than 40 cm (16 inches)!



01.2 Protection from electric shock

- Shut down power before installation or maintenance.
- Luminaries, Driver and recommended power supply must be installed by a qualified professional in accordance with relevant local codes. Only acceptable source of power and frequency that complies with local building and electrical codes to use.
- Do not use or do not connect the products if the power cable, power plug or fixtures are any way damaged, wet, or if they are overheating.
- Do not modify, alter, or attempt to service the LeaderLight appliance. Doing so will void the warranty.
- Before removing or installing any cover or part of appliance disconnect from power.



Operation only with DC 24V source!

By using a high voltage AC power supply - danger of electric shock!

01.3 Fire prevention

- Follow all safety consideration.
- Thermostatic switches or fuses never to bypass.
- Device never shield. Around the axis of the fitting (180°) must be maintained space for cooling. Use only with original in ground box.
- LEDs never direct cover with filters or other materials.
- Allowing max. ambient temperature is 40°C (104°F).



02 PRODUCT SPECIFICATION

02.1 Technical Specification

Lamp type:	7xR+6xG+6xB Z5 *
Lifetime:	Long 50 000 hrs 70% degradation
Optic:	Standard 25°, on request: 10°, 40°
Control data Input:	3 channels 24V dimming
Input power:	max. 25W
Power connection:	24V DC 5m cable with 6pin LINE connector
Net weight:	3kg
IP:	IP67
Ambient temp. (Ta):	Maximum 40°C
Cooling:	Conventional
Materials and finish:	Powder-painted anodized aluminium RAL9006 (other colours on request)
Installation:	In ground mounting

*Z5: ■ R-Red, ■ G-Green, ■ B-Blue

03 INSTALLATION

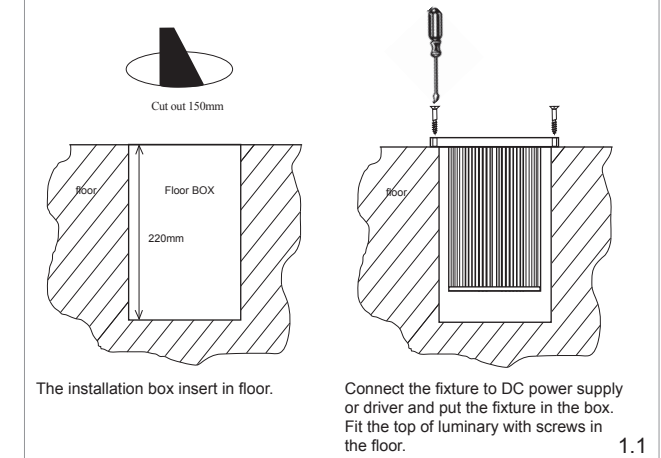
03.1 Unpacking

- Unpack carefully.
- This is electronic equipment and should be handled carefully.
- Damaged delivered package or if any mechanical parts broken – it must be claim immediately by the transport company. Photo pictures as evidence are valuable for future claim.

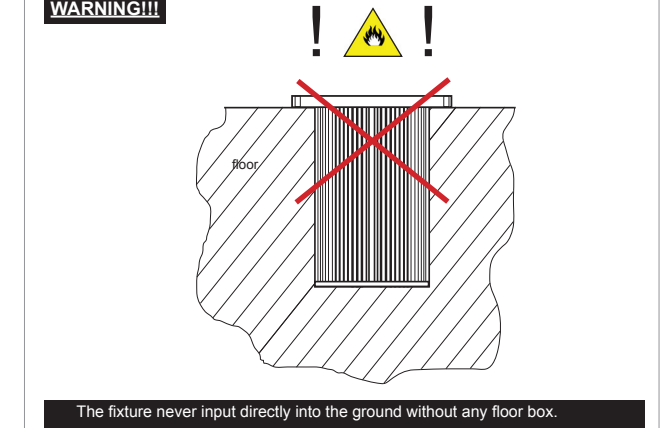
03.2 Physical installation

- Loading capacity of bearing area has to be at least 10 times the weight of all device clusters (luminaries, clamps, cables, ...).
- Hairbreadth from combustible materials is 0,5m.

Installation in floor



WARNING!!!



03.3 Electrical installation



- **To tackle all Safety Information- 01!**
- You can suffer a dangerous electric shock by using a high voltage AC/DC power supply - by touching the AC/DC power supply wires inside LL ARC SPOT 19!
- LL ARC SPOT 19 can be operated in two ways:
 - 03.3.1 LL ARC SPOT 19 connecting to DC POWER SUPPLY - for switch ON/OFF luminaries
 - 03.3.2 LL ARC SPOT 19 connecting to LL ARC DRIVER - for intensity and colour control

03.3.1 Connecting to DC power supply (Figure Nr. 2.1)

- LL ARC SPOT 19 must be connected to the device- MW power supply In:100-260AC/ Out: 24V
- It is not necessary to open fixture before connecting to MW power supply.

AC Power Supply Cord plug connections to MW Power Supply:

Symbol	Pin	Wire Colour	Screw (US)
L	live	brown	yellow or brass
N	neutral	blue	silver
	ground (earth)	yellow/green	green

03.3.2 Connecting to LL ARC DRIVER (Figure Nr. 2.2)

- For intensity and colour control is necessary connection with LL ARC DRIVER.
- It is not necessary to open fixture before connecting to LL ARC DRIVER.
- Before installing of LL ARC DRIVER carefully read USER MANUAL for LL ARC DRIVER.

04 MAINTENANCE

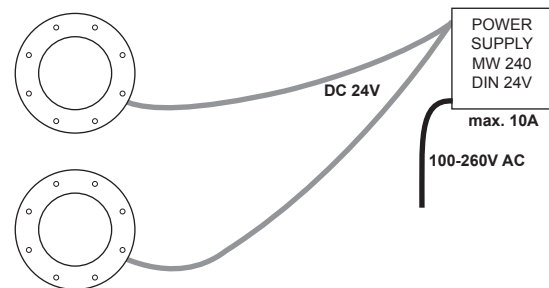


- **To tackle all Safety Information- 01!**
- Damage caused by inadequate cleaning or maintenance is not covered by warranty.
- Regular cleaning is demand (dust, dirt, ...).

Maintenance policy:

- Unplug mains before maintenance and at least 10 minutes cool off
- Appliance do not illegal open or demount
- Clean-up dust only from outer surface (for ex. diffuser).
- Use vacuum or dumpy duster (warm water)
- Before reinstalling to check failure-free state – no wet parts!

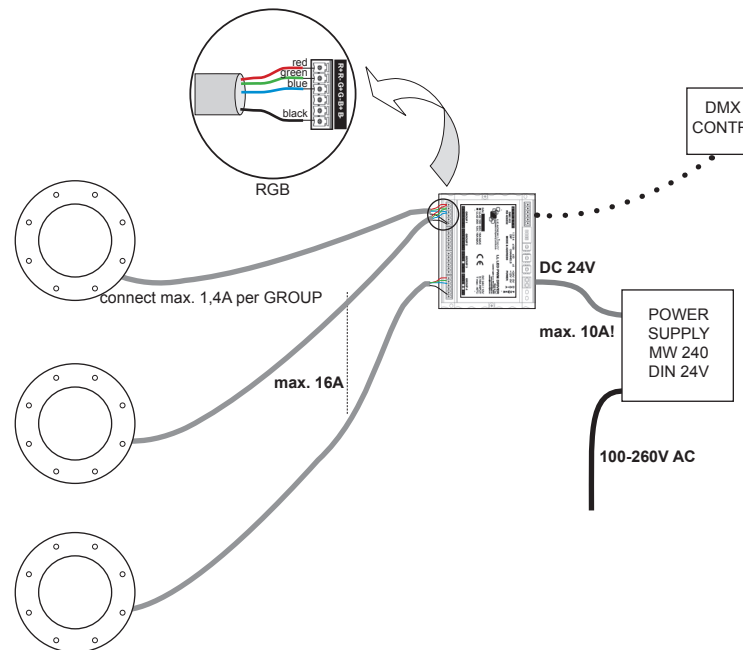
LL ARC SPOT IN GROUND connecting to DIN POWER SUPPLY



Connecting LL ARC SPOT to DIN POWER SUPPLY enables to switch ON/OFF luminaries.

2.1

LL ARC SPOT IN GROUND connecting to ARC DRIVER and DIN POWER SUPPLY



Connecting LL ARC SPOT to PWM DRIVER and DIN POWER SUPPLY enables to switch ON/OFF luminaries and in addition intensity and colour control by DMX controller.

2.2

Order code	Product name	I _c (A)
LL32 700	LL ARC SPOT 19 IN GROUND RGB	3x0,35A
LL41 455	LL BOX SPOT IN GROUND	