

USER MANUAL

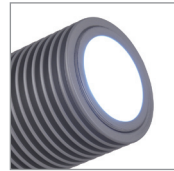
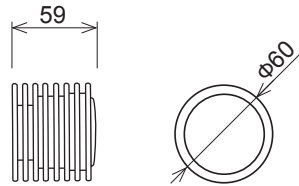
LL A3 BIG POINT 01 BASIC

LL39 520 LL39 530

COMPLIMENTS ON YOUR PURCHASE!

All dimensions are in millimeters

BASIC:



Following items are included:

- LL A3 BIG POINT 01 BASIC with 1,5m cable
- User manual

1 pc.
1 pc.

Additional items needed:

- Mounting accessories as necessary

Content:

01 SAFETY INFORMATION

- 01.1 Risk of eyes damage
- 01.2 Protection from electric shock
- 01.3 Fire prevention

02 PRODUCT SPECIFICATION

- 02.1 Technical Specification

03 INSTALLATION

- 03.1 Unpacking
- 03.2 Physical installation
- 03.3 Electrical installation

04 MAINTENANCE

ENVIRONMENT



Do not throw away the appliance with the normal household waste at the end of its life, but hand it in at an official collection point for recycling. By doing this, you help to preserve the environment.

01 SAFETY INFORMATION



WARNING!!!

Carefully read before installing, powering or servicing.
Nothing to do if anything misunderstand! Installation can be done only by a qualified professional in accordance with relevant local codes.

01.1 Risk of eyes damage



- Do not look directly into LED lamps.
- Do not look into light beam from a distance of less than 40 cm (16 inches)!

01.2 Protection from electric shock



- Shut down power before installation or maintenance.
- Luminaries and recommended AC power supply must be installed by a qualified professional in accordance with relevant local codes. Only acceptable source of AC power and frequency that complies with local building and electrical codes to use.
- Do not use or do not connect the products if the power cable, power plug or fixtures are any way damaged, wet, or if they are overheating.
- Do not modify, alter, or attempt to service the LeaderLight appliance. Doing so will void the warranty.
- Before removing or installing any cover or part of appliance disconnect it from AC power.
- Appliance always connect to earth (eltech.).

01.3 Fire prevention



- Follow all safety consideration.
- Thermostatic switches or fuses never to bypass.
- Device never shield. Around the axis of the fitting (180°) must be maintained space for cooling. Minimum distance from the surrounding objects must be 100mm (4 in.).
- LEDs never direct cover with filters or other materials.
- Allowing max. ambient temperature is 40°C (104°F).

LL A3 BIG POINT 01 BASIC W/N is not suitable for standard dimming!

02 PRODUCT SPECIFICATION

02.1 Technical Specification

Lamp type:	1 x Acriche (White 6300°K and Neutral 3000°K)
Lifetime:	Over 35 000 hrs
Optic:	Standard 5°, on request: 25°, 40°, 60°
Max. input power:	4,6W
Power connection:	220-240V 50/60Hz AC 1,5m cable On request US version: 100-120V
Net weight:	0,35 kg
Dimensions HxΦ:	59mm x 60mm without bracket
IP:	IP65
Ambient temp. (Ta):	Maximum 40°C
Cooling:	Conventional
Materials and finish:	Housing: powder-painted anodized aluminium RAL9006 (other colours on request)
Installation:	Recessed, surface, suspended or in ground mounting

03 INSTALLATION

03.1 Unpacking

- Unpack carefully.
- This is electronic equipment and should be handled carefully.
- Damaged delivered package or if are any mechanical parts broken – it must be claim immediately by the transport company. Photo pictures as evidence are valuable for future claim.

03.2 Physical installation

- Loading capacity of bearing area has to be at least 10 times the weight of all device clusters (luminaries, clamps, cables, ...).
- Heigbreadth from combustible materials is 0,5m.

03.3 Connecting to AC power



- **To tackle all Safety Information- 01!**
- For protection from electric shock, the device must be grounded (earthed)!
- It is not necessary to open the fixture before power supply.
- Power supply is solved simple with 1,5m cable

- Cord plug connections:

Symbol	Pin	Wire Colour	Screw (US)
L	live	brown	yellow or brass
N	neutral	blue	silver
⊕	ground (earth)	yellow/green	green

04 MAINTENANCE



- **To tackle all Safety Information- 01!**
- Damage caused by inadequate cleaning or maintenance is not covered by warranty.
- Regular cleaning is demand (dust, dirt, ...).

Maintenance policy:

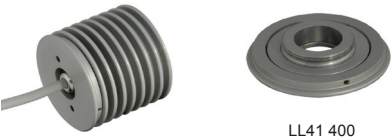
- Unplug mains before maintenance and at least 10 minutes cool off
- Appliance do not illegal open or demount
- Clean-up dust only from outer surface (for ex. scuttle, diffuser and lenses).
- Use vacuum or dumpy duster (warm water)
- Before reinstalling to check failure-free state – no wet parts!

Order code	Product name
LL39 520	LL A3 BIG POINT 01 BASIC W
LL39 530	LL A3 BIG POINT 01 BASIC N
Accessories:	
LL41 400	LL HOLDER A3 BIG POINT SURFACE
LL41 410	LL HOLDER A3 BIG POINT RECESSED
LL41 450	LL BOX A3 BIG POINT IN GROUND
LL41 500	LL BRACKET A3 BIG POINT
LL41 505	LL HOLDER A3 BIG POINT SUSPENDED

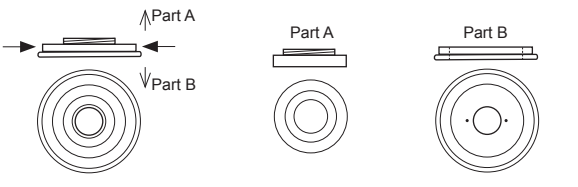
Installation

Mounting - surface, recessed, in ground or suspended is easy using various accessories as seen below:


Mounting on surface with surface holder



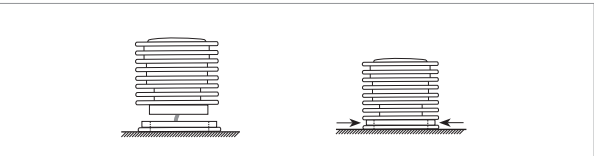
LL41 400



1.1.1 Unlock the screws on the surface holder and divide it into two parts.



1.1.2 The part B fix to the surface. The power cable string on surface holder - part A. The surface holder - part A screw on the basic unit.




1.1.3 Connect the fixture to AC power supply and match part A on part B and fix with screws.

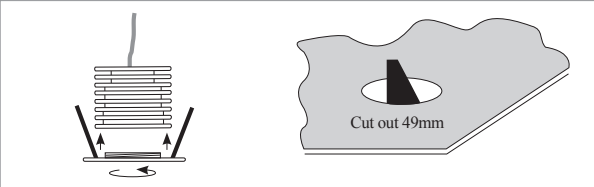
Basic unit - back view



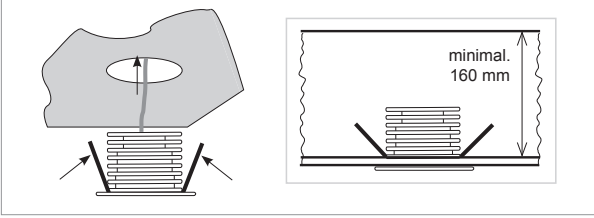
Recessed mounting with recessed holder



LL41 410




1.2.1 The recessed holder screw on basic unit. Cut hole in suspended ceiling. The allowed thickness of ceiling material is max. 12mm.

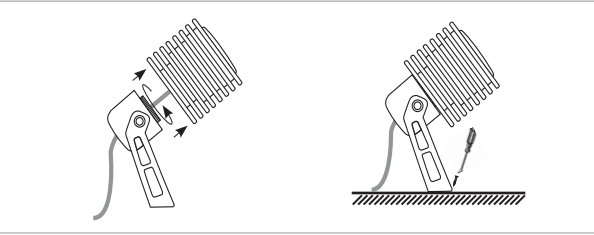


1.2.2 Connect the fixture to the power supply. Push the spring and insert the fixture into the hole.

Mounting on surface with bracket

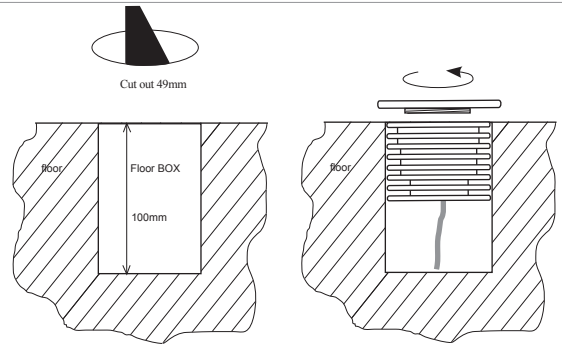


LL41 500



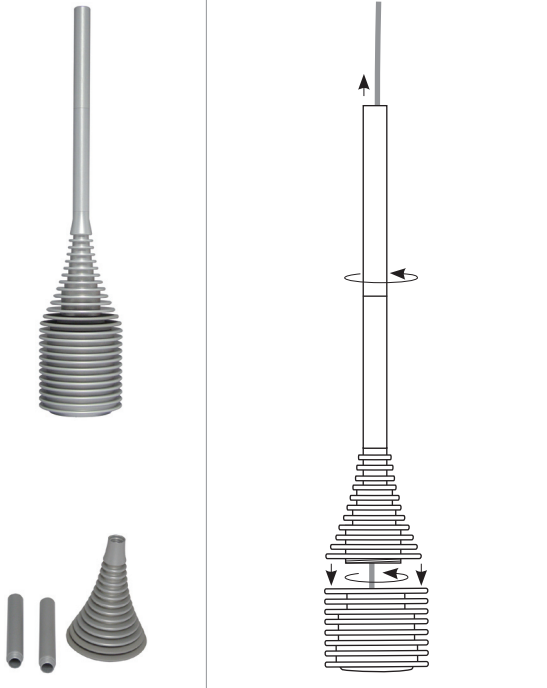
1.4.1 The power cable string on bracket. The bracket screw on the basic unit. Connect the fixture to AC power supply and fix the bracket with screws to the surface.

Mounting in floor with in ground box



1.3.1 The installation box insert in floor. Connect the basic unit to power supply and put the fixture in the box. Screw the front cover.

Suspended mounting with suspended holder



LL41 505

1.5.1 The power cable string on suspended holder. The suspended holder screw on the basic unit.