



LEADER LIGHT s.r.o.
M.Gorkeho 33
052 01 Spisska Nova Ves
Slovakia
www.leaderlight.eu

LEADER LIGHT

USER MANUAL

LL POINT RGBWWN

COMPLIMENTS ON YOUR PURCHASE!



Package includes:

- LL POINT RGBW/WWN 1pc.
- User manual 1pc.

Additional items needed:

- LL POINT SPLITTER
- LL ARC DRIVER CC
- DC power supply 24V

Content:

- 01 SAFETY INFORMATION**
 - 01.1 Risk of eyes damage
 - 01.2 Safety instructions
 - 01.3 Fire protection
- 02 PRODUCT SPECIFICATION**
 - 02.1 Technical specification
- 03 INSTALLATION**
 - 03.1 Unpacking
 - 03.2 Physical installation
 - 03.3 Electrical installation
- 04 MAINTENANCE AND SERVICE**

ENVIRONMENT



Do not throw away the appliance with the normal household waste at the end of its life, but hand it in at an official collection point for recycling. By doing this, you help to preserve the environment.

01 SAFETY INFORMATION



WARNING!!!

Carefully read before installing, powering or servicing. Nothing to do if anything misunderstand! Installation can be done only by a qualified professional in accordance with relevant local codes.

01.1 Risk of eyes damage



- Do not look directly into LED lamps.
- Do not look into light beam from a distance of less than 40 cm (16 inches)!

01.2 Safety instructions



- Shut down power before installation or maintenance.
- Do not modify, alter, or attempt to service the LEADER LIGHT appliance. Doing so will void the warranty.
- Luminaries, Splitter, Driver and recommended power supply must be installed by a qualified professional in accordance with relevant local codes. Only acceptable source of power and frequency that complies with local building and electrical codes to use.
- Do not use or do not connect the products if the power cable, power plug or fixtures are any way damaged, wet, or if they are overheating.
- Do not modify, alter, or attempt to service the LeaderLight appliance. Doing so will void the warranty.
- Before removing or installing any cover or part of appliance disconnect from power.

01.3 Fire protection



- Follow all safety restrictions.
- Thermostatic switches or fuses never to bypass.
- Device and **ventilating slots never shield**. Around the axis of the fitting (180°) must be maintained space for cooling. Minimum distance from the surrounding objects must be 100mm (4 in.).
- LEDs never direct cover with filters or other materials.
- Allowing max. ambient temperature is 40°C (104°F).

Operation only with LL POINT SPLITTER + LL ARC DRIVER and DC 24V source!
By using a high voltage AC power supply - danger of electric shock!

02 PRODUCT SPECIFICATION

02.1 Technical specification LL POINT

Lamp type: OneChip RGBW/ WN 5W

Lifespan: 50.000 hrs 70% degradation

Power connection: 24V DC 1,5m cable with 8pin Con to SPLITTER

IP: IP20

Control data: 4 channels dimming with Splitter

Ambient temp. (Ta): Standard: -30°C<T_a< +40°C; Optional: +50°C

Net weight: basic 0,2 kg

Installation: Surface, suspended, recessed or in ground mounting

Technical specification LL SPLITTER

Input: 24V with 8pin IP65 Con

Output: 2/6 x OUT 8pin

Net weight: 0,2 kg

IP: IP20

Ambient temp. (Ta): max. +40°C (104°F)

Cooling: convectional

Materials and finish: Powder-painted anodized aluminium RAL9006 (other colours on request)

Installation: Any position surface mounting

03 INSTALLATION

03.1 Unpacking

- Unpack carefully.
- This is electronic equipment and should be handled carefully.
- Damaged delivered package or if are any mechanical parts broken – it must be claim immediately by the transport company. Photo pictures as evidence are valuable for future claim.

03.2 Physical installation (figure 1)

- Loading capacity of bearing area has to be at least 10 times the weight of all device clusters.
- Hairbreadth from combustible materials is 0,5m.

03.3 Electrical installation (figure 2)

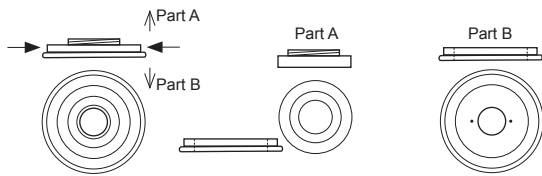
- **To tackle all Safety Information- 01!**
- You can suffer a dangerous electric shock by using a high voltage AC/DC power supply - by touching the AC/DC power supply wires inside LL POINT!
- LL POINT must be operated only with LL POINT SPLITTER and LL ARC DRIVER CC
- After installing the LL ARC DRIVER CC, which is connected to the device - MW power supply IN:100-260AC/ OUT: 24V you are ready to make the connections from fixtures to LL SPLITTER.
- It is not necessary to open fixture before connecting to LL SPLITTER.
- Pull the 8pin Con cable connector from the fixtures to the LL SPLITTER output.
- Wire the Brown, Red, White, Green, Black, Blue,.. wires of each fixture into the connector terminals - see table „Wire colour to connector terminals“.
- LL SPLITTER operate with LL ARC DRIVER CC.
- Connection ability - see pictures “Electrical Connections”.

04 MAINTENANCE AND SERVICE

- Before any maintenance is necessary to carefully read all SAFETY INFORMATION 01!
 - Damages caused by inadequate cleaning or maintenance are not covered by warranty.
 - Requires periodic cleaning (dust, dirt, ...)
- Procedure for maintenance:
- Unplug mains before maintenance and at least 10 minutes cool off.
 - Appliance do not illegal open or demount.
 - Clean-up dust only from outer surface. Use vacuum or dumpy duster (warm water)
 - Before reinstalling make sure everything is intact and dry– no wet parts!
- Service:
- Customer service provided by the manufacturer.

1. Physical installation

1.1 Mounting on surface with surface holder



1.1.1 Unlock the screws on the surface holder and divide it into two parts.

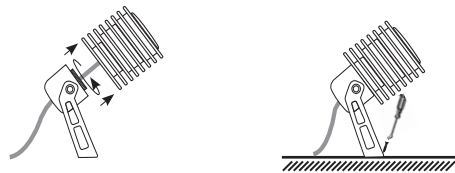


1.1.2 The part B fix to the surface. The power cable string on surface holder - part A. The surface holder - part A screw on the basic unit.



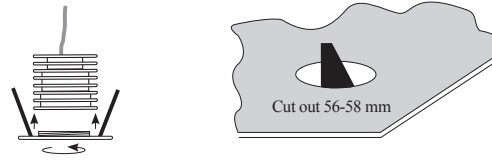
1.1.3 Connect the fixture to SPLITTER and match part A on part B and fix with screws.

1.2 Mounting on surface with bracket

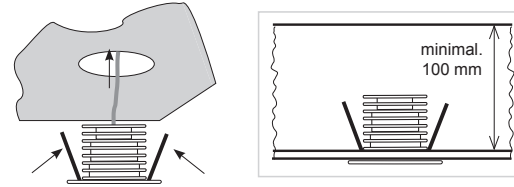


1.2.1 The power cable string on bracket. The bracket screw on the basic unit. Connect the fixture to SPLITTER and fix the bracket with screws to the surface.

1.3 Recessed mounting with recessed holder

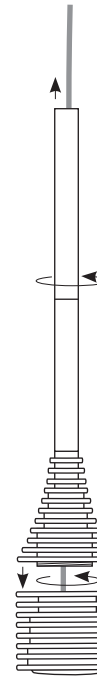


1.3.1 The recessed holder screw on basic unit. Cut hole in suspended ceiling. The allowed thickness of ceiling material is max. 20mm.



1.3.2 Connect the fixture to the SPLITTER. Push the spring and insert the fixture into the hole.

1.4 Suspended mounting with suspended holder



1.4.1 The power cable string on suspended holder. The suspended holder screw on the basic unit.

Mounting accessories



surface holder



recessed holder



bracket



suspended holder

Accessories

LL POINT SPLITTER 02 RGBW/WN 2xOUT, 8pin IP20 Con

LL POINT SPLITTER 06 RGBW/WN 6xOUT, 8pin IP20 Con

LL POINT SPLITTER DAISY CABLE 8pinF/8pinM 2m

LL POINT SPLITTER END CONNECTOR 8pin

Basic models - color

LL POINT CB04 SI-I20-01-5W-010-RGBW-OC 4x0,35A

LL POINT CB04 SI-I20-01-5W-010-WN-OC 2x0,70A

LL POINT CS04 SI-I20-01-5W-010-RGBW-OC 4x0,35A

LL POINT CS04 SI-I20-01-5W-010-WN-OC 2x0,70A

LL POINT CR04 SI-I20-01-5W-010-RGBW-OC 4x0,35A

LL POINT CR04 SI-I20-01-5W-010-WN-OC 2x0,70A

LL POINT CC04 SI-I20-01-5W-010-RGBW-OC 4x0,35A

LL POINT CC04 SI-I20-01-5W-010-WN-OC 2x0,70A

LL POINT CP04 SI-I20-01-5W-010-RGBW-OC 4x0,35A

LL POINT CP04 SI-I20-01-5W-010-WN-OC 2x0,70A

LL	POINT	C	CB04	B04	SI	I20	01	5W	010	RGBW	OC
Type	Connection	Mounting & Dimension		Product color	IP rating	LED number	Power input	Optic	Color LED	LED Chip	
POINT	C: Current Driver 0-0,7A or with Splitter for PWM 24V	S: Mounting B: Basic S: Surface R: Recessed C: Console P: Pendant	04: Ø 45mm	SI: RAL9006 BL: RAL9005 W: RAL9010 GR: RAL7035	I20 Indoor IP 20	01: 1x LED	5W	010: 10° 025: 25° 040: 40°	RGBW WN	OC: OneChip	

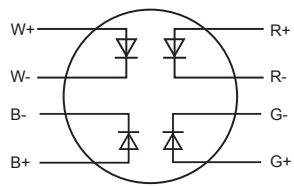
2. Electrical installation

Connection LL POINT + LL POINT SPLITTER 06/02 to LL ARC DRIVER CC

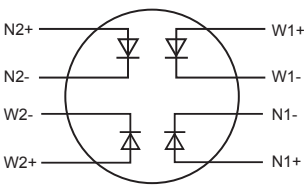
The connected conductors with 8 PIN Connector		LL POINT conductor connection	
8 PIN Con	Conductor colour	LL POINT RGBW	LL POINT WN
1	Brown	R+	N1+
2	Red	R-	N1-
3	White	W-	W1-
4	Yellow	G+	W2+
5	Green	G-	W2-
6	Blue	B-	N2-
7	Violet	B+	N2+
8	Gray	W+	W1+

* The conductors colour may be modified

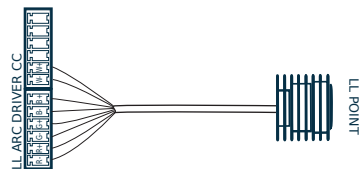
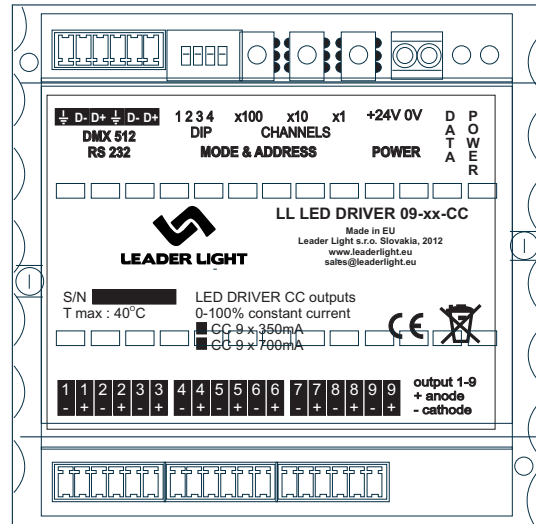
OneChip LED RGBW



OneChip LED WN

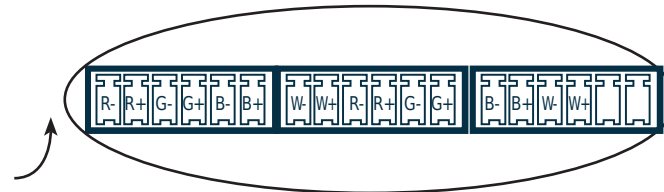
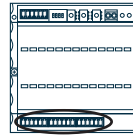


LL ARC DRIVER CC

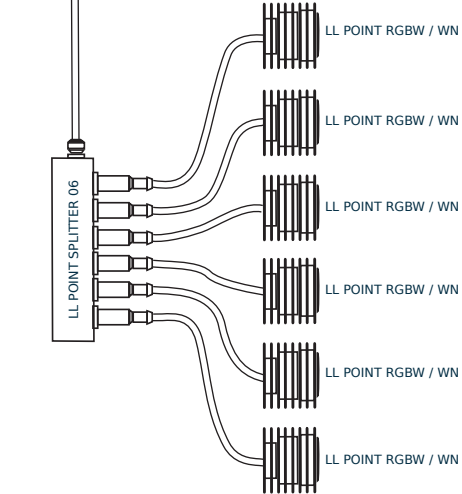


Connection 1 x LL POINT to LL ARC DRIVER CC

LL ARC DRIVER CC

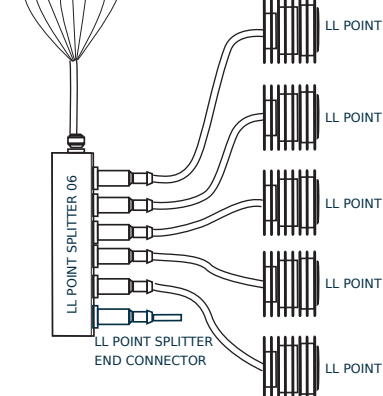


LL ARC DRIVER CC



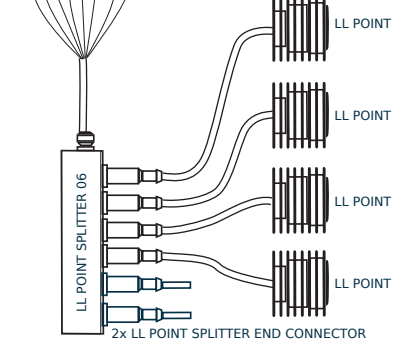
Connection 6 x LL POINT + LL POINT SPLITTER 06

LL ARC DRIVER CC



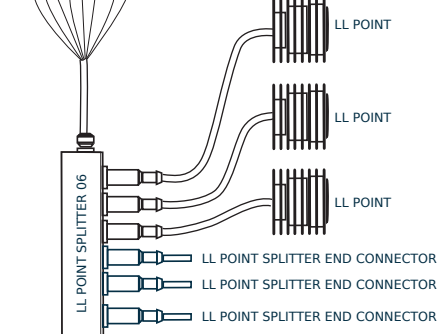
Connection 5 x LL POINT + LL POINT SPLITTER 06

LL ARC DRIVER CC



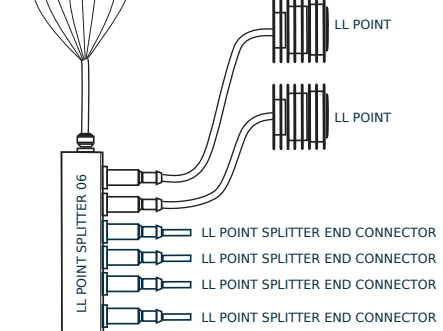
Connection 4 x LL POINT + LL POINT SPLITTER 06

LL ARC DRIVER CC



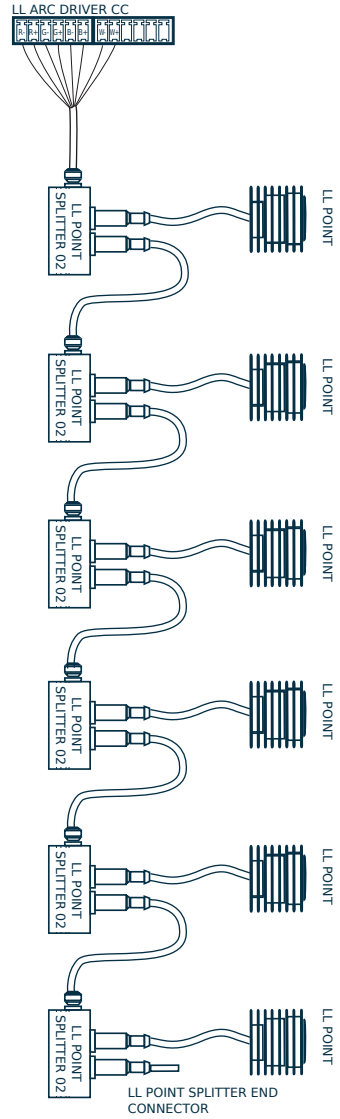
Connection 3 x LL POINT + LL POINT SPLITTER 06

LL ARC DRIVER CC

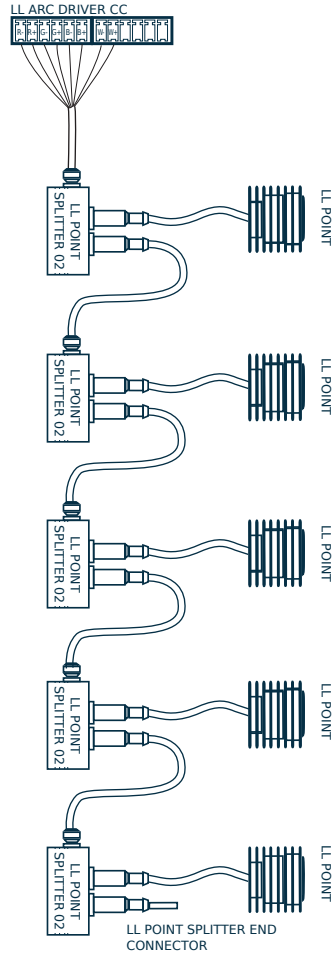


Connection 2 x LL POINT + LL POINT SPLITTER 06

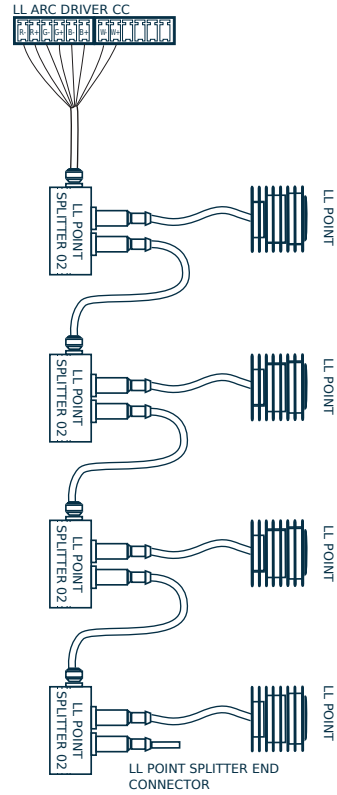
Connection max. 6 x (LL POINT + LL POINT SPLITTER 02)



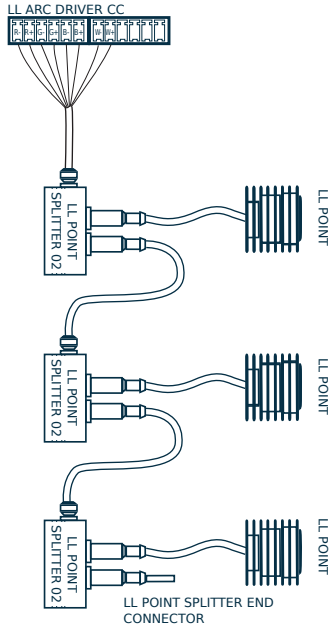
Connection 5 x (LL POINT + LL POINT SPLITTER 02)



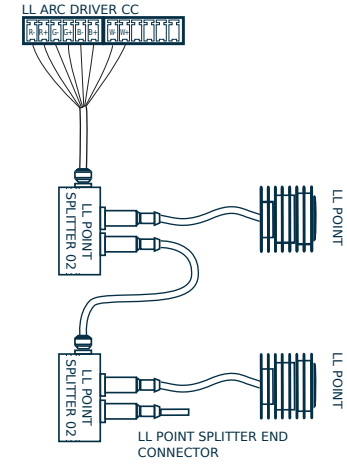
Connection 4 x (LL POINT + LL POINT SPLITTER 02)



Connection 3 x (LL POINT + LL POINT SPLITTER 02)



Connection 2 x (LL POINT + LL POINT SPLITTER 02)



Connection 1 x LL POINT TO LL ARC DRIVER CC

