

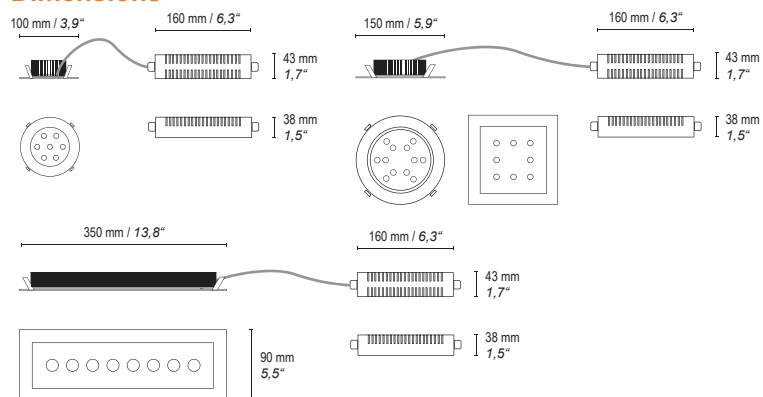
## LL RECESSED DOWNLIGHT AC90-264V

are square/ round/ rectangular high-power downlights with efficient LED technology.

The recessed downlights are used in commercial lighting for general illumination and accent lighting.

The fixtures are supplied complete with driver unit.

### Dimensions



### Applications

- Shopping malls
- Public areas
- Schools
- Museums, galleries
- Office, lobby ...

IP20

AC90-264V



### Technical specification

Lifetime	75.000 hours (70% lumen maintenance at $T_a = +25^\circ\text{C}$ (77°F))
Power connection	AC90-264V, 47-63Hz cable input 1m long
Ambient temp. ( $T_a$ )	max. $+40^\circ\text{C}$ (104°F)
Cooling	Conventional
Installation	Recessed

### Basic range

#### LL RECESSED DOWNLIGHT

LL RDW PR10-SI-I20-07- 20W-060-40K-C80

LL RDW PR15-SI-I20-12- 20W-060-40K-C80

LL RDW PS15-SI-I20-08- 20W-060-40K-C80

LL RDW PS15-SI-I20-09- 20W-060-40K-C80

LL RDW PL35-SI-I20-08- 20W-060-40K-C80

### Standard configurations

LL	RDW	PR10	SI	I20	07	20W	060	40K	C80	
	<b>Type</b>	<b>P</b>	<b>R10</b>	<b>Product color</b>	<b>IP rating</b>	<b>LED number</b>	<b>Power input</b>	<b>Optic</b>	<b>Color temperature</b>	<b>CRI</b>
	RDW: RECESSED DOWNLIGHT	P: AC90-277V; 47-63Hz; On/Off	R: Round S: Square L: Rectangle	SI: RAL9006 BL: RAL9005 W: RAL9010 GR: RAL7035	I20: Indoor IP20	07: 7x LED 08: 8x LED 09: 9x LED 12: 12x LED	20W	010: 10° 020: 20° 030: 30° 040: 40° 060: 60° 080: 80° 120: 120°	40K: 4000K	C80: CRI 80

Other configurations - special order